

Series
VK VMS 125



Multiple-inlet centrifugal fan in plastic casing with the air capacity up to **355 m³/h**

■ **Applications**

VK VMS 125 is a multiple-inlet fan designed for simultaneous air exhaust from up to 5 premises. It is a perfect solution for bathroom units, kitchens and other residential and small commercial premises requiring exhaust ventilation in high humidity conditions. The fan is equipped with four Ø 80 mm inlet branch pipes and one Ø 125 mm intake branch pipe.

■ **Design**

The fan is equipped with a high-quality plastic casing and an airtight terminal box. For easy connection and operation the power cord with a plug can be provided (VK VMS... R).

■ **Motor**

The impeller with backward curved blades is powered by single phase motor with external rotor and overheating protection with automatic restart. The motor is equipped with ball bearings for long service life designed for at least 40 000 hours.

■ **Speed control**

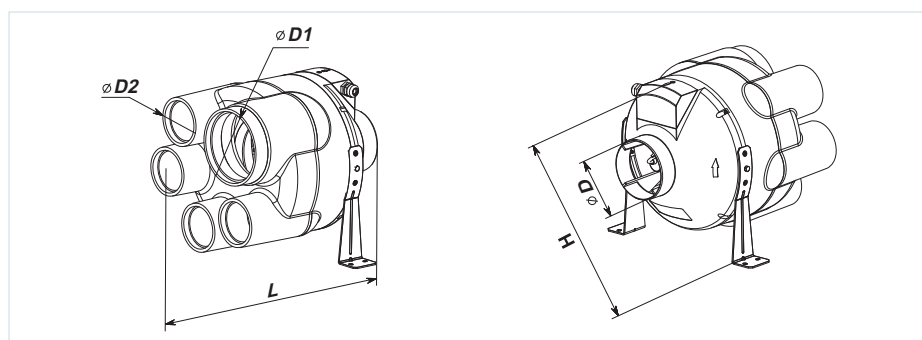
Smooth or step speed control with a thyristor or autotransformer speed controller. Several fans may be connected to one speed controller provided that the total power and operating current do not exceed the rated speed controller parameters.

■ **Mounting**

Easy to mount. Mounting at any angle to wall or ceiling is performed by means of fastening brackets.

Fan overall dimensions:

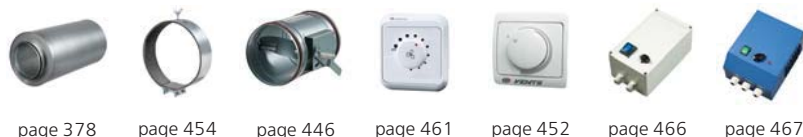
Type	Dimensions [mm]					Weight [kg]
	ØD	ØD1	ØD2	H	L	
VK VMS 125	125	124	79	281	317	2.99



Designation key: _____

Series	Air duct diameter	Options
VENTS VK VMS	125	R – power cord with IEC C14 electric plug.

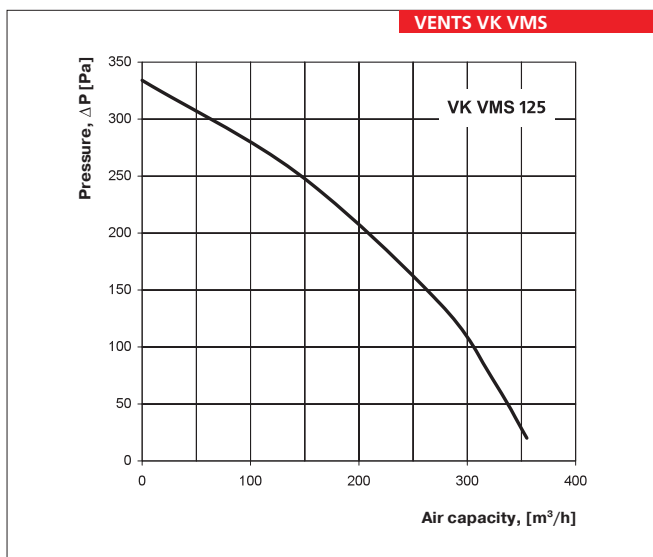
Accessories



page 378 page 454 page 446 page 461 page 452 page 466 page 467

Technical data:

VK VMS 125	
Voltage [V / 50 Hz]	230
Power [W]	79
Current [A]	0.34
Max. air capacity [m ³ /h]	355
RPM [min ⁻¹]	2800
Noise level at 3 m [dBA]	46
Transported air temperature [°C]	-25 +55
SEC class	C
Protection rating	IP X4



VENTS
 VK VMS
 FAN SERIES

